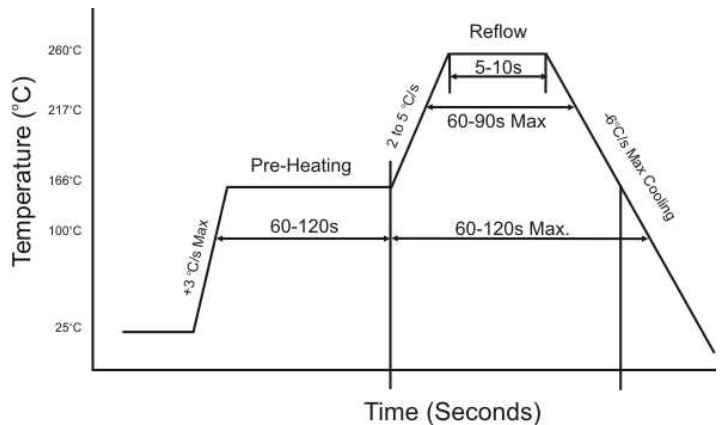
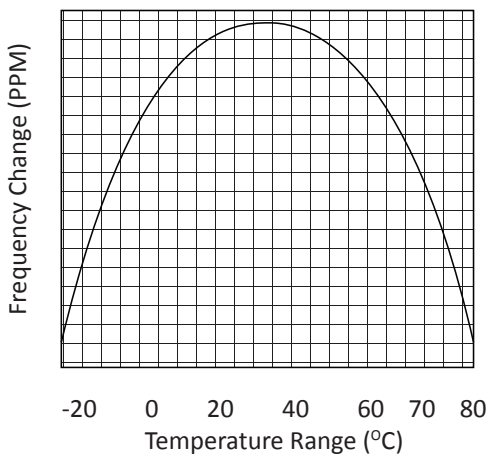


Standard Specifications

Parameter	Symbol	Specification	Remarks
Frequency Range	f_0	32.768 kHz	20kHz to 100kHz available
Frequency Tolerance	$\Delta f/f$	$\pm 20\text{PPM}$	at 25°C with 100 μW
Frequency Stability	Over OTR	$-0.034 \pm 0.006 \text{ppm}/^\circ\text{C}^2$	
Operating Temperature Range	T_{OPR}	-40°C to $+85^\circ\text{C}$	
Storage Temperature Range	T_{STG}	-55°C to $+125^\circ\text{C}$	
Load Capacity	C_L	12.5pF (Std value)	Please specify
Drive-Level	D_L	1.0 μW Typ.	1.0 μW Max
ESR	R	65 k Ω	Max.
Shunt Capacitance	C_0	0.8pF	Typical
Ageing	Fa	$\pm 3.0\text{PPM}$	Max. at 25°C $\pm 3^\circ\text{C}$ 1st Year

X-Cut Temperature Characteristics

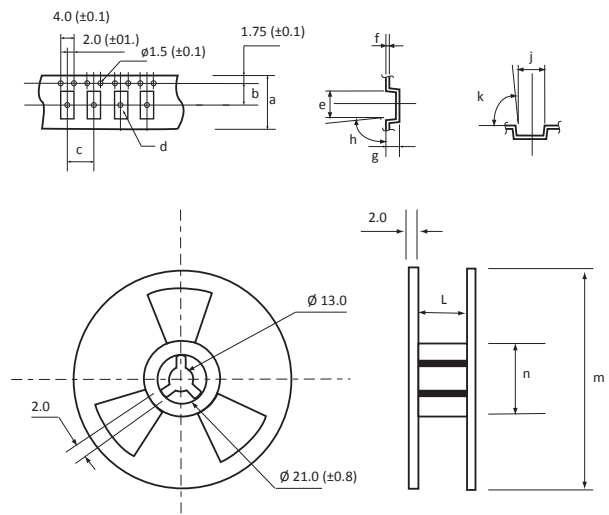
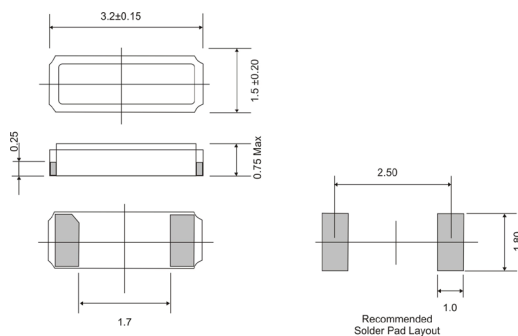
Reflow Solder Condition (260°C Max.)



High temperature solder exemption - In accordance with RoHS 2002/95/EC Annex 7

Dimensions (mm)

3000pcs per Reel



a	b	c	d	e	f	h	j	k	l	m	n
12	5.5	4.0	1.0	3.6	1.0	5°	1.9	5°	13.0	180	60